

Door Closer

Model: DC100

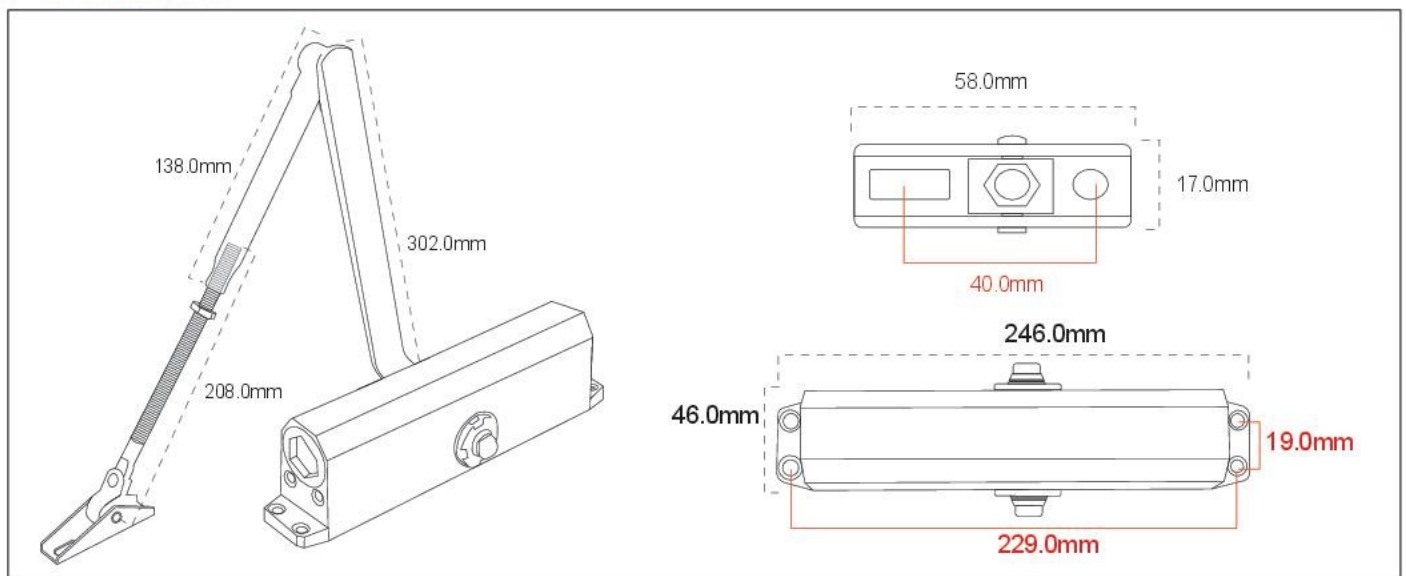
Hydraulic door closer
Mute buffer, adjustable speed
Material: Aluminum alloy

► Product Parameter

Model	DC100
Material	Aluminum alloy
Max. Door width	1200mm
Door Weight	80-120kg
Installation	229*19mm
Speed 1	180°-15°
Speed 2	15°-0°



► Dimensions



commercial@accor-emea.com

+261 32 03 726 18 / +33 6 70 06 11 10

Lot All 9 Mandrosoa Ilafy Ambatobe